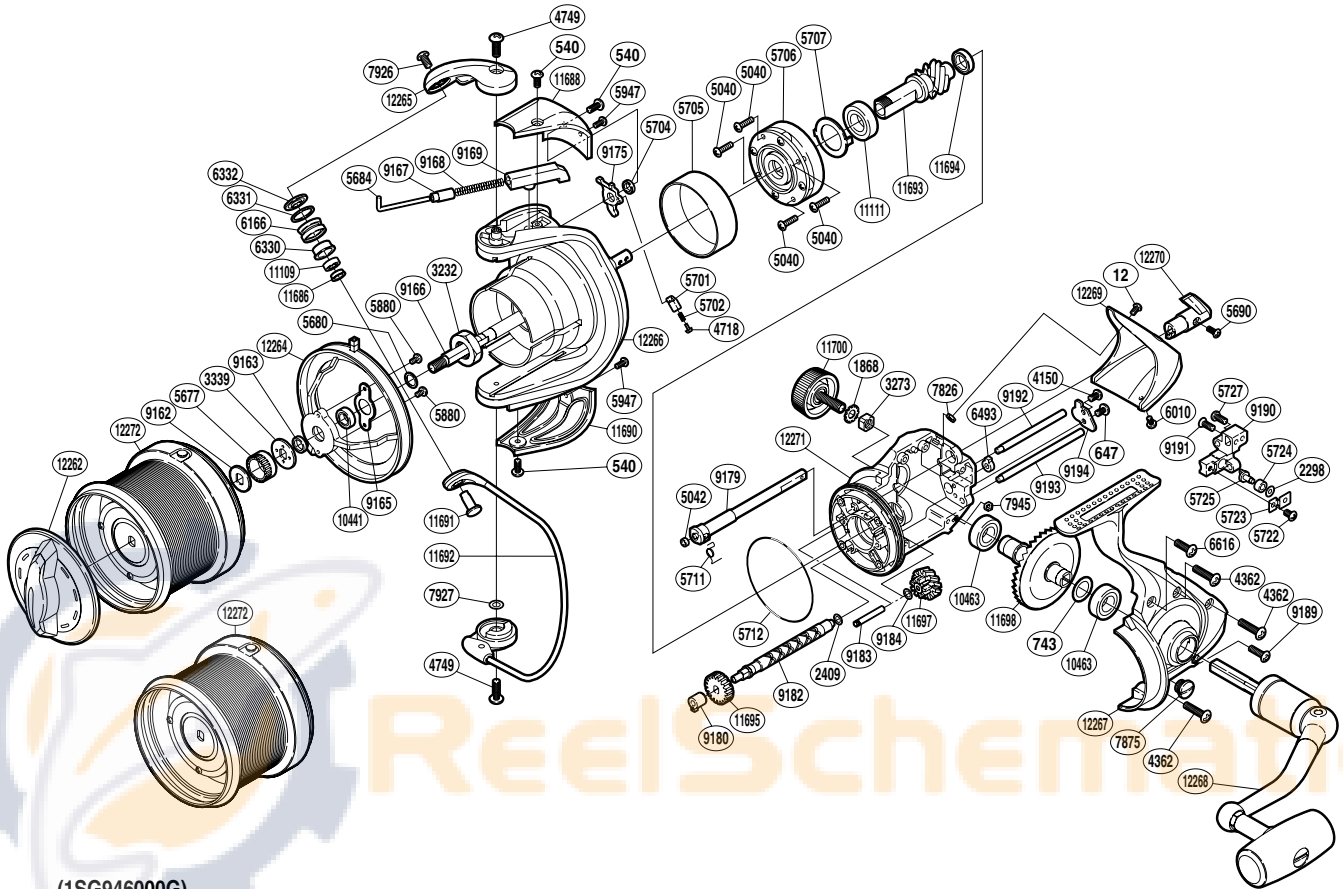


SHIMANO

POWER AERO S A-RB

PA-6000XSA



(1SG946000G)

| Part No. | Description | Part No. | Description | Part No. | Description |
|----------|----------------------------|----------|-----------------------------|----------|-------------------------|
| RD 0012 | Screw | RD 5725 | Oscillating Pawl | RD 9191 | Screw |
| RD 0540 | Screw | RD 5727 | Screw | RD 9192 | Oscillating Guide B |
| RD 0647 | Screw | RD 5880 | Screw | RD 9193 | Oscillating Guide A |
| RD 0743 | Washer | RD 5947 | Screw | RD 9194 | Worm Shaft Retainer |
| RD 1868 | Handle Lock Washer | RD 6010 | Screw | RD10441 | Ball Bearing |
| RD 2298 | Spacer | RD 6166 | Line Roller | RD10463 | Ball Bearing |
| RD 2409 | Spacer | RD 6330 | Line Roller Bushing | RD11109 | Ball Bearing |
| RD 3232 | Rotor Nut | RD 6331 | Line Roller Spacer | RD11111 | Ball Bearing |
| RD 3273 | Handle Screw Lock | RD 6332 | Line Roller Washer | RD11686 | Bearing Spacer |
| RD 3339 | Spool Support B | RD 6493 | Worm Bushing (rear) | RD11688 | Bail Spring Cover |
| RD 4150 | Screw | RD 6616 | Screw | RD11690 | Bail Hold Support Guard |
| RD 4362 | Screw | RD 7826 | Nut | RD11691 | Line Roller Support |
| RD 4718 | Lever Spring Guide A | RD 7875 | Oil Cap | RD11692 | Bail Assembly |
| RD 4749 | Screw | RD 7926 | Screw | RD11693 | Pinion Gear |
| RD 5040 | Screw | RD 7927 | Washer | RD11694 | Ball Bearing |
| RD 5042 | Anti-Reverse Cam Ring | RD 7945 | Nut | RD11695 | Idle Gear |
| RD 5677 | Spool Support A | RD 9162 | Spool Washer | RD11697 | Idle Gear |
| RD 5680 | Spacer | RD 9163 | Line Safety Guard Spacer | RD11698 | Drive Gear |
| RD 5684 | Bail Spring Guide A | RD 9165 | Bearing Retainer | RD11700 | Handle Screw Cap |
| RD 5690 | Screw | RD 9166 | Main Shaft | RD12262 | Drag Knob |
| RD 5701 | Lever Spring Guide B | RD 9167 | Bail Spring Guide A Support | RD12264 | Line Safety Guard |
| RD 5702 | Lever Spring | RD 9168 | Bail Spring | RD12265 | Bail Arm |
| RD 5704 | Trip Lever Spacer | RD 9169 | Bail Spring Guide B | RD12266 | Rotor |
| RD 5705 | Roller Clutch Ring | RD 9175 | Bail Trip Lever | RD12267 | Side Cover |
| RD 5706 | Roller Clutch Assembly | RD 9179 | Anti-Reverse Cam | RD12268 | Handle Assembly |
| RD 5707 | Bearing Washer | RD 9180 | Worm Bushing (front) | RD12269 | Rear Protector |
| RD 5711 | Anti-Reverse Cam Spring | RD 9182 | Worm Shaft | RD12270 | Anti-Reverse Lever |
| RD 5712 | O Ring | RD 9183 | Idle Gear B Shaft | RD12271 | Body |
| RD 5722 | Screw | RD 9184 | Washer | RD12272 | Spool Assembly |
| RD 5723 | Oscillating Pawl Cover | RD 9189 | Screw | | |
| RD 5724 | Oscillating Slider Bushing | RD 9190 | Oscillating Slider | | |